

# JUDO SASK

PROVINCIAL CHAMPIONSHIPS  
APRIL 13, 2024



# RESULTS

## Provincial Kata Championship Results:

### **Nage No Kata:**

Gold Medal: Alex Ko, Thomas Berns

### **Ju No Kata:**

Gold Medal: Susan Clark, Sydney Clark

Silver Medal: Kate Schneider, Brady Burnett

# NeWazaU10 PoolA

## Competitors

#	Name	Club	1	2	3	Wins	Pts	Pos
1	Karlee REMPEL	Swift Current	XX					
2	Daphnee BOSSE	Regina Y		XX				
3	Serafina COLEMAN	Saskatoon			XX			

## Matches

Match	White	Blue	Result	Time	Code
✓ 1	Karlee REMPEL	1 2 Daphnee BOSSE			
✓ 2	Karlee REMPEL	1 3 Serafina COLEMAN			
✓ 3	Daphnee BOSSE	2 3 Serafina COLEMAN			

## Results

Pos	Name
	All Gold Medals

# NeWazaU10 PoolB

## Competitors

#	Name	Club	1	2	3	Wins	Pts	Pos
✓ 1	Kadence REMPEL	Swift Current	XX					
2	Hunter MCROBERTS	Koseikan		XX				
3	Brooklyn BALDWIN	Queen City			XX			

## Matches

Match	White	Blue	Result	Time	Code
✓ 1	Kadence REMPEL	1 2 Hunter MCROBERTS			
✓ 2	Kadence REMPEL	1 3 Brooklyn BALDWIN			
✓ 3	Hunter MCROBERTS	2 3 Brooklyn BALDWIN			

## Results

Pos	Name
	All Gold Medals

# NeWazaU10 PoolC

## Competitors

#	Name	Club	1	2	3	4	5	Wins	Pts	Pos
1	Josh BHAGALOO	Regina Y	XX							
2	Dylan SCHMELING	Shinmura		XX						
3	Eli WHITNEY	Koseikan			XX					
4	Georgia DUNFORD	Regina Y				XX				
5	Ruby MANERA	Regina Y					XX			

## Matches

Match	White	Blue	Result	Time	Code
✓ 1	Georgia DUNFORD	4 5 Ruby MANERA			
✓ 2	Josh BHAGALOO	1 2 Dylan SCHMELING			
✓ 3	Eli WHITNEY	3 4 Georgia DUNFORD			
✓ 4	Josh BHAGALOO	1 5 Ruby MANERA			
✓ 5	Dylan SCHMELING	2 3 Eli WHITNEY			
✓ 6	Josh BHAGALOO	1 4 Georgia DUNFORD			
✓ 7	Eli WHITNEY	3 5 Ruby MANERA			
✓ 8	Dylan SCHMELING	2 4 Georgia DUNFORD			
✓ 9	Josh BHAGALOO	1 3 Eli WHITNEY			
✓ 10	Dylan SCHMELING	2 5 Ruby MANERA			

## Results

Pos	Name
	All Gold Medals

# NeWazaU10 PoolD

## Competitors

#	Name	Club	1	2	3	4	Wins	Pts	Pos
1	Amerson SUGAR	Shinmura Piapot	XX						
2	Nicole IEROFIEIEVA	Ju No Ri		XX					
3	Kalaiya JOHNSON	Regina Y			XX				
4	Joshua ELDER	Swift Current				XX			

## Matches

Match	White	Blue	Result	Time	Code
1	Amerson SUGAR	1 2 Nicole IEROFIEIEVA			
2	Kalaiya JOHNSON	3 4 Joshua ELDER			
3	Amerson SUGAR	1 3 Kalaiya JOHNSON			
4	Nicole IEROFIEIEVA	2 4 Joshua ELDER			
5	Amerson SUGAR	1 4 Joshua ELDER			
6	Nicole IEROFIEIEVA	2 3 Kalaiya JOHNSON			

## Results

Pos	Name
	All Gold Medals



# NeWazaU10 PoolE

## Competitors

#	Name	Club	1	2	3	4	Wins	Pts	Pos
1	Caiden SANTANGELO	U of R	XX						
2	Nguyen An Khanh HOANG <i>Robert</i>	U of R		XX					
3	Jacob LUPASTIN	Vibank			XX				
4	Bennet REISS	Vibank				XX			

## Matches

Match	White	Blue	Result	Time	Code
✓ 1	Caiden SANTANGELO	1 2 Nguyen An Khanh HOANG <i>Robert</i>			
✓ 2	Jacob LUPASTIN	3 4 Bennet REISS			
✓ 3	Caiden SANTANGELO	1 3 Jacob LUPASTIN			
✓ 4	Nguyen An Khanh HOANG	2 4 Bennet REISS			
✓ 5	Caiden SANTANGELO	1 4 Bennet REISS			
✓ 6	Nguyen An Khanh HOANG	2 3 Jacob LUPASTIN			

## Results

Pos	Name
	All Gold Medals

# NeWazaU10 PoolF

## Competitors

#	Name	Club	1	2	3	4	Wins	Pts	Pos
1	Katherine BERGLUND	Koseikan	XX						
2	Isla POSSBERG	Melfort		XX					
3	Eliana EYFORD	Shinmura			XX				
4	Phynleigh MYHRE	Swift Current				XX			

## Matches

Match	White	Blue	Result	Time	Code
✓ 1	Katherine BERGLUND	1 2 Isla POSSBERG			
✓ 2	Eliana EYFORD <i>Ely ana</i>	3 4 Phynleigh MYHRE			
✓ 3	Katherine BERGLUND	1 3 Eliana EYFORD			
✓ 4	Isla POSSBERG	2 4 Phynleigh MYHRE			
✓ 5	Katherine BERGLUND	1 4 Phynleigh MYHRE			
✓ 6	Isla POSSBERG	2 3 Eliana EYFORD			

## Results

Pos	Name
	All Gold Medals



# NeWazaU10 PoolG

## Competitors

#	Name	Club	1	2	3	4	Wins	Pts	Pos
1	Caleb MASSON	Flin Flon	XX						
2	Matiya Pearl NGOUNOU NANA	Shinmura		XX					
3	Felicity BERRY	Queen City			XX				
4	Francis SIAPNO	Regina Y				XX			

## Matches

Match	White	Blue	Result	Time	Code
✓ 1	Caleb MASSON	1 2 Matiya Pearl NGOUNOU NANA			
✓ 2	Felicity BERRY	3 4 Francis SIAPNO			
3	Caleb MASSON	1 3 <del>Felicity BERRY</del>			
✓ 4	Matiya Pearl NGOUNOU NANA	2 4 Francis SIAPNO			
✓ 5	Caleb MASSON	1 4 Francis SIAPNO			
6	Matiya Pearl NGOUNOU NANA	2 3 <del>Felicity BERRY</del>			

## Results

Pos	Name
	All Gold Medals

# NeWazaU10/12M

## Competitors

#	Name	Club	1	2	3	Wins	Pts	Pos
1	Bowen KLEIN	Vibank	XX					
2	Theodore VUKMAN	Vibank		XX				
3	Alexander MAERZ	Koseikan			XX			

## Matches

Match	White	Blue	Result	Time	Code
1	Bowen KLEIN	Theodore VUKMAN			
2	Bowen KLEIN	Alexander MAERZ			
3	Theodore VUKMAN	Alexander MAERZ			

## Results

Pos	Name
	All Gold Medals
	All Gold Medals

# NeWazaU12F PoolA

## Competitors

#	Name	Club	1	2	1	2	1	2	Wins	Pts	Pos
1	Aayla LEE-NEUMAN	Koseikan	XX		XX		XX				
2	Amanda DE LA CRUZ MARCELINO	Saskatoon		XX		XX		XX			

## Matches

Match	White	Blue	Result	Time	Code
1	Aayla LEE-NEUMAN	1 2 Amanda DE LA CRUZ MARCELINO			
2	Amanda DE LA CRUZ MARCELINO	2 1 Aayla LEE-NEUMAN			
3	Aayla LEE-NEUMAN	1 2 Amanda DE LA CRUZ MARCELINO			

## Results

Pos	Name
	All Gold Medals

# NeWazaU12F PoolB

## Competitors

#	Name	Club	1	2	3	Wins	Pts	Pos
1	Payton PINEL	Control	XX					
2	Harley-Anne ALLEN	Ju No Ri		XX				
3	Ana JUNG	Saskatoon			XX			

## Matches

Match	White	Blue	Result	Time	Code
1	Payton PINEL	1 2 Harley-Anne ALLEN			
2	Payton PINEL	1 3 Ana JUNG			
3	Harley-Anne ALLEN	2 3 Ana JUNG			

## Results

Pos	Name
	All Gold Medals

# NeWazaU12F PoolC

## Competitors

#	Name	Club	1	2	3	4	Wins	Pts	Pos
1	Eva KANASEVICH	Vibank	XX						
2	Hadley HUTCHINSON	Vibank		XX					
3	Francesca SIAPNO	Regina Y			XX				
4	Khloe SNIDER	Shinmura				XX			

## Matches

Match	White	Blue	Result	Time	Code
1	Eva KANASEVICH	1 2 Hadley HUTCHINSON			
2	Francesca SIAPNO	3 4 Khloe SNIDER			
3	Eva KANASEVICH	1 3 Francesca SIAPNO			
4	Hadley HUTCHINSON	2 4 Khloe SNIDER			
5	Eva KANASEVICH	1 4 Khloe SNIDER			
6	Hadley HUTCHINSON	2 3 Francesca SIAPNO			

## Results

Pos	Name
	All Gold Medals



# NeWazaU12F PoolD

## Competitors

#	Name	Club	1	2	1	2	1	2	Wins	Pts	Pos
1	Rachel ELDER	Swift Current	XX		XX		XX				
2	Peyton DICKIE	Swift Current		XX		XX		XX			

## Matches

Match	White	Blue	Result	Time	Code
1	Rachel ELDER	1 2 Peyton DICKIE			
2	Peyton DICKIE	2 1 Rachel ELDER			
3	Rachel ELDER	1 2 Peyton DICKIE			

## Results

Pos	Name
	All Gold Medals

# NeWazaU12F PoolE

## Competitors

#	Name	Club	1	2	3	Wins	Pts	Pos
1	Maya SILVA	Koseikan	XX					
2	Laylah GETZ	Koseikan		XX				
3	Amassity SUGAR	Shinmura Piapot			XX			

## Matches

Match	White	Blue	Result	Time	Code
1	Maya SILVA	1 2 Laylah GETZ			
2	Maya SILVA	1 3 Amassity SUGAR			
3	Laylah GETZ	2 3 Amassity SUGAR			

## Results

Pos	Name
	All Gold Medals

# NeWazaU12M PoolA

## Competitors

#	Name	Club	1	2	3	Wins	Pts	Pos
1	Jody MARTIN	Shinmura	XX					
2	Leo TAYLOR	U of R		XX				
3	Liam VANDORLAND	Koseikan			XX			

## Matches

Match	White	Blue	Result	Time	Code
1	Jody MARTIN	1 2 Leo TAYLOR			
2	Jody MARTIN	1 3 Liam VANDORLAND			
3	Leo TAYLOR	2 3 Liam VANDORLAND			

## Results

Pos	Name
	All Gold Medals

# NeWazaU12M PoolB

## Competitors

#	Name	Club	1	2	3	Wins	Pts	Pos
1	Jackson TATLOW	Saskatoon	XX					
2	Natsu MACLEOD	Queen City		XX				
3	Devin DER	Koseikan			XX			

## Matches

Match	White	Blue	Result	Time	Code
1	Jackson TATLOW	1 2 Natsu MACLEOD			
2	Jackson TATLOW	1 3 Devin DER			
3	Natsu MACLEOD	2 3 Devin DER			

## Results

Pos	Name
	All Gold Medals

# NeWazaU12M PoolC

## Competitors

#	Name	Club	1	2	3	4	Wins	Pts	Pos
1	Lincoln DUNFORD	Regina Y	XX						
2	Artur FAYFRUK	Saskatoon		XX					
3	Jack LOEWEN	Battleford			XX				
4	Jacob HIEBERT	Flin Flon				XX			

## Matches

Match	White	Blue	Result	Time	Code
1	Lincoln DUNFORD	1 2 Artur FAYFRUK			
2	Jack LOEWEN	3 4 Jacob HIEBERT			
3	Lincoln DUNFORD	1 3 Jack LOEWEN			
4	Artur FAYFRUK	2 4 Jacob HIEBERT			
5	Lincoln DUNFORD	1 4 Jacob HIEBERT			
6	Artur FAYFRUK	2 3 Jack LOEWEN			

## Results

Pos	Name
	All Gold Medals



# NeWazaU12M PoolD

## Competitors

#	Name	Club	1	2	3	Wins	Pts	Pos
1	David ILES	U of R	XX					
2	Nguyen An Phuc HOANG	U of R		XX				
3	Elias HODGSON	Saskatoon			XX			

## Matches

Match	White	Blue	Result	Time	Code
1	David ILES	1 2 Nguyen An Phuc HOANG			
2	David ILES	1 3 Elias HODGSON			
3	Nguyen An Phuc HOANG	2 3 Elias HODGSON			

## Results

Pos	Name
	All Gold Medals

# NeWazaU12M PoolE

## Competitors

#	Name	Club	1	2	3	Wins	Pts	Pos
1	Jack BOCHEK	Swift Current	XX					
2	Adrian SANTANGELO	U of R		XX				
3	Rylan SANTOS	Flin Flon			XX			

## Matches

Match	White	Blue	Result	Time	Code
1	Jack BOCHEK	1 2 Adrian SANTANGELO			
2	Jack BOCHEK	1 3 Rylan SANTOS			
3	Adrian SANTANGELO	2 3 Rylan SANTOS			

## Results

Pos	Name
	All Gold Medals

# NeWazaSrM -66

## Competitors

#	Name	Club	1	2	3	4	5	Wins	Pts	Pos
1	Cyrus KAIP	Shinmura	XX	20		20	20	3	60	1
2	Ashton DEBRUYNE	Regina Y		XX	20			1	20	5
3	Gor YEGHISHYAN	U of R	20		XX	20	16	3	56	2
4	Kenzie WOODS	Koseikan		20		XX		1	20	4
5	Tyson BRUCE	Koseikan		20		8	XX	2	28	3

## Matches

Match	White			Blue	Result	Time	Code
B-2	Kenzie WOODS	4	5	Tyson BRUCE	2 - 8	3:00	
B-3	Cyrus KAIP	1	2	Ashton DEBRUYNE	20 - 18	3:48	
B-5	Gor YEGHISHYAN	3	4	Kenzie WOODS	20 - 0	1:58	
B-9	Cyrus KAIP	1	5	Tyson BRUCE	20 - 2	2:45	
B-8	Ashton DEBRUYNE	2	3	Gor YEGHISHYAN	20 - 4	3:41	
B-13	Cyrus KAIP	1	4	Kenzie WOODS	20 - 2	1:27	
B-15	Gor YEGHISHYAN	3	5	Tyson BRUCE	16 - 12	4:00	
B-16	Ashton DEBRUYNE	2	4	Kenzie WOODS	0 - 20	1:55	
B-25	Cyrus KAIP	1	3	Gor YEGHISHYAN	0 - 20	3:52	
B-26	Ashton DEBRUYNE	2	5	Tyson BRUCE	0 - 20	0:00	FUS

## Results

Pos	Name
1	Cyrus KAIP, Shinmura
2	Gor YEGHISHYAN, U of R
3	Tyson BRUCE, Koseikan
4	Kenzie WOODS, Koseikan
5	Ashton DEBRUYNE, Regina Y

# NeWazaSrM -81

## Competitors

#	Name	Club	1	2	3	4	Wins	Pts	Pos
1	Michael YEE	Regina Y	XX	20	20	20	3	60	1
2	Maxx KARAIM	Regina Y		XX	20	20	2	40	2
3	Daulton SHAW	Koseikan			XX		0	0	4
4	Kenton UNRUH	Swift Current			20	XX	1	20	3

## Matches

Match	White			Blue	Result	Time	Code
B-11	<b>Michael YEE</b>	1	2	Maxx KARAIM	20 - 0	0:32	
B-12	Daulton SHAW	3	4	<b>Kenton UNRUH</b>	8 - 20	2:53	
B-20	<b>Michael YEE</b>	1	3	Daulton SHAW	20 - 0	1:06	
B-21	<b>Maxx KARAIM</b>	2	4	Kenton UNRUH	20 - 0	0:56	
B-33	<b>Michael YEE</b>	1	4	Kenton UNRUH	20 - 0	1:04	
B-36	<b>Maxx KARAIM</b>	2	3	Daulton SHAW	20 - 0	0:52	

## Results

Pos	Name
1	Michael YEE, Regina Y
2	Maxx KARAIM, Regina Y
3	Kenton UNRUH, Swift Current
4	Daulton SHAW, Koseikan

# NeWazaSrM +81

## Competitors

#	Name	Club	1	2	1	2	1	2	Wins	Pts	Pos
1	Chris HODGSON	Saskatoon	XX	20	XX	20	XX		2	40	1
2	Adam HENDRICKSON	U of R		XX		XX		XX	0	0	2

## Matches

Match	White			Blue	Result	Time	Code
B-10	<b>Chris HODGSON</b>	1	2	Adam HENDRICKSON	20 - 2	3:31	
B-19	Adam HENDRICKSON	2	1	<b>Chris HODGSON</b>	6 - 20	3:38	
B-31	Chris HODGSON	1	2	Adam HENDRICKSON			

## Results

Pos	Name
1	Chris HODGSON, Saskatoon
2	Adam HENDRICKSON, U of R



# NeWazaU14F Pool A

## Competitors

#	Name	Club	1	2	1	2	1	2	Wins	Pts	Pos
1	Emily SMITH	Shinmura	XX	20	XX	20	XX		2	40	1
2	Elizabeth MACDONALD	Shinmura		XX		XX		XX	0	0	2

## Matches

Match	White			Blue	Result	Time	Code
B-14	<b>Emily SMITH</b>	1	2	Elizabeth MACDONALD	20 - 0	0:58	
B-22	Elizabeth MACDONALD	2	1	<b>Emily SMITH</b>	4 - 20	2:02	
B-37	Emily SMITH	1	2	Elizabeth MACDONALD			

## Results

Pos	Name
1	Emily SMITH, Shinmura
2	Elizabeth MACDONALD, Shinmura

# NeWazaU14F Pool B

## Competitors

#	Name	Club	1	2	3	4	Wins	Pts	Pos
1	Winter-Sky AISAICAN	Koseikan	XX				0	0	4
2	Francesca SIAPNO	Regina Y	16	XX			1	16	3
3	Kylee FREEMAN	Ju No Ri	20	20	XX	8	3	48	1
4	Dylan TATLOW	Saskatoon	20	20		XX	2	40	2

## Matches

Match	White			Blue	Result	Time	Code
B-6	Winter-Sky AISAICAN	1	2	Francesca SIAPNO	0 - 16	3:00	
B-7	<b>Kylee FREEMAN</b>	3	4	Dylan TATLOW	8 - 2	3:00	
B-17	Winter-Sky AISAICAN	1	3	<b>Kylee FREEMAN</b>	2 - 20	1:24	
B-18	Francesca SIAPNO	2	4	<b>Dylan TATLOW</b>	0 - 20	0:56	
B-28	Winter-Sky AISAICAN	1	4	<b>Dylan TATLOW</b>	0 - 20	1:18	
B-29	Francesca SIAPNO	2	3	<b>Kylee FREEMAN</b>	0 - 20	1:15	

## Results

Pos	Name
1	Kylee FREEMAN, Ju No Ri
2	Dylan TATLOW, Saskatoon
3	Francesca SIAPNO, Regina Y
4	Winter-Sky AISAICAN, Koseikan

# NeWazaU14F Pool C

## Competitors

#	Name	Club	1	2	3	Wins	Pts	Pos
1	Diedra HALVORSON	Koseikan	XX			0	0	3
2	Raylynn MAERZ	Koseikan	20	XX	20	2	40	1
3	Gemma MCALLISTER	Lloydminster	20		XX	1	20	2

## Matches

Match	White			Blue	Result	Time	Code
B-1	Diedra HALVORSON	1	2	Raylynn MAERZ	0 - 20	0:41	
B-4	Diedra HALVORSON	1	3	Gemma MCALLISTER	0 - 20	1:07	
B-24	Raylynn MAERZ	2	3	Gemma MCALLISTER	20 - 0	0:48	

## Results

Pos	Name
1	Raylynn MAERZ, Koseikan
2	Gemma MCALLISTER, Lloydminster
3	Diedra HALVORSON, Koseikan

# NeWazaU14M Pool A

## Competitors

#	Name	Club	1	2	3	Wins	Pts	Pos
1	Ray SIM	Saskatoon	XX			0	0	3
2	Vigen YEGHISHYAN	U of R	20	XX		1	20	2
3	Silvan RAESS	Battleford	1	12	XX	2	13	1

## Matches

Match	White			Blue	Result	Time	Code
A-6	Ray SIM	1	2	Vigen YEGHISHYAN	0 - 20	3:00	
A-9	Ray SIM	1	3	Silvan RAESS	0 - 0	3:00	YUS
A-25	Vigen YEGHISHYAN	2	3	Silvan RAESS	2 - 12	3:00	

## Results

Pos	Name
1	Silvan RAESS, Battleford
2	Vigen YEGHISHYAN, U of R
3	Ray SIM, Saskatoon

# NeWazaU14M Pool B

## Competitors

#	Name	Club	1	2	3	4	Wins	Pts	Pos
1	Eliot PERRAULT	Swift Current	XX				0	0	4
2	Alexander KO	Shinmura	14	XX			1	14	3
3	Oleksandr KORNAT	Koseikan	12	20	XX	1	3	33	1
4	Bartosz LOSINSKI	Lloydminster	18	12		XX	2	30	2

## Matches

Match	White			Blue	Result	Time	Code
A-11	Eliot PERRAULT	1	2	Alexander KO	6 - 14	3:00	
A-2	Oleksandr KORNAT	3	4	Bartosz LOSINSKI	0 - 0	3:00	YUS
A-16	Eliot PERRAULT	1	3	Oleksandr KORNAT	4 - 12	3:00	
A-14	Alexander KO	2	4	Bartosz LOSINSKI	4 - 12	3:00	
A-20	Eliot PERRAULT	1	4	Bartosz LOSINSKI	4 - 18	3:00	
A-21	Alexander KO	2	3	Oleksandr KORNAT	4 - 20	2:49	

## Results

Pos	Name
1	Oleksandr KORNAT, Koseikan
2	Bartosz LOSINSKI, Lloydminster
3	Alexander KO, Shinmura
4	Eliot PERRAULT, Swift Current



# NeWazaU14M Pool C

## Competitors

#	Name	Club	1	2	1	2	1	2	Wins	Pts	Pos
1	Sundean MUHAMEDAGIC	U of R	XX		XX		XX		0	0	2
2	Samuel LOEWEN	Battleford	10	XX	16	XX		XX	2	26	1

## Matches

Match	White			Blue	Result	Time	Code
A-12	Sundean MUHAMEDAGIC	1	2	<b>Samuel LOEWEN</b>	0 - 10	3:00	
A-8	<b>Samuel LOEWEN</b>	2	1	Sundean MUHAMEDAGIC	16 - 0	3:00	
A-22	Sundean MUHAMEDAGIC	1	2	Samuel LOEWEN			

## Results

Pos	Name
1	Samuel LOEWEN, Battleford
2	Sundean MUHAMEDAGIC, U of R

# NeWazaU14M Pool D

## Competitors

#	Name	Club	1	2	3	4	5	Wins	Pts	Pos
1	Jayden BOUSHIE	Battleford	XX					0	0	5
2	Elijah BOUSHIE	Battleford	20	XX	2			2	22	3
3	Kevin BERGLUND	Koseikan	20		XX			1	20	4
4	Thomas BERNS	Shinmura	20	20	20	XX	20	4	80	1
5	Rone Matheo NGOUNOU NOUDJALE	Shinmura	20	20	20		XX	3	60	2

## Matches

Match	White			Blue	Result	Time	Code
A-5	<b>Thomas BERNS</b>	4	5	Rone Matheo NGOUNOU NOUDJALE	20 - 0	1:08	
A-7	Jayden BOUSHIE	1	2	<b>Elijah BOUSHIE</b>	0 - 20	0:44	
A-13	Kevin BERGLUND	3	4	<b>Thomas BERNS</b>	0 - 20	0:49	
A-15	Jayden BOUSHIE	1	5	<b>Rone Matheo NGOUNOU NOUDJALE</b>	0 - 20	0:36	
A-3	<b>Elijah BOUSHIE</b>	2	3	Kevin BERGLUND	2 - 0	3:00	
A-10	Jayden BOUSHIE	1	4	<b>Thomas BERNS</b>	0 - 20	0:55	
A-18	Kevin BERGLUND	3	5	<b>Rone Matheo NGOUNOU NOUDJALE</b>	0 - 20	1:05	
A-17	Elijah BOUSHIE	2	4	<b>Thomas BERNS</b>	0 - 20	0:40	
A-23	Jayden BOUSHIE	1	3	<b>Kevin BERGLUND</b>	0 - 20	1:49	
A-24	Elijah BOUSHIE	2	5	<b>Rone Matheo NGOUNOU NOUDJALE</b>	0 - 20	2:22	

## Results

Pos	Name
1	Thomas BERNS, Shinmura
2	Rone Matheo NGOUNOU NOUDJALE, Shinmura
3	Elijah BOUSHIE, Battleford
4	Kevin BERGLUND, Koseikan
5	Jayden BOUSHIE, Battleford

# NeWazaU14M Pool E

## Competitors

#	Name	Club	1	2	3	Wins	Pts	Pos
1	Jacob WIENS	Flin Flon	XX	20		1	20	2
2	Parker CARON	Queen City		XX		0	0	3
3	Jesse REYNAUD	Koseikan	20	20	XX	2	40	1

## Matches

Match	White			Blue	Result	Time	Code
A-1	<b>Jacob WIENS</b>	1	2	Parker CARON	20 - 6	2:23	
A-4	Jacob WIENS	1	3	<b>Jesse REYNAUD</b>	0 - 20	2:41	
A-19	Parker CARON	2	3	<b>Jesse REYNAUD</b>	0 - 20	1:58	

## Results

Pos	Name
1	Jesse REYNAUD, Koseikan
2	Jacob WIENS, Flin Flon
3	Parker CARON, Queen City

# NeWazaU16/SrW +70

## Competitors

#	Name	Club	1	2	3	4	Wins	Pts	Pos
1	Mariam SAADEN	U of R	XX		20		1	20	3
2	Azra BENIC	Saskatoon	20	XX	20	20	3	60	1
3	Josie MAWSON	Koseikan			XX		0	0	4
4	Josie WIENS	Flin Flon	20		20	XX	2	40	2

## Matches

Match	White			Blue	Result	Time	Code
B-27	Mariam SAADEN	1	2	<b>Azra BENIC</b>	0 - 20	0:56	
B-32	Josie MAWSON	3	4	<b>Josie WIENS</b>	0 - 20	2:40	
B-23	<b>Mariam SAADEN</b>	1	3	Josie MAWSON	4 - 20	3:59	
B-35	<b>Azra BENIC</b>	2	4	Josie WIENS	20 - 0	1:52	
B-39	Mariam SAADEN	1	4	<b>Josie WIENS</b>	20 - 4	2:56	
B-40	<b>Azra BENIC</b>	2	3	Josie MAWSON	20 - 0	1:09	

## Results

Pos	Name
1	Azra BENIC, Saskatoon
2	Josie WIENS, Flin Flon
3	Mariam SAADEN, U of R
4	Josie MAWSON, Koseikan

# NeWazaU16/SrW +70 (TB)

## Competitors

#	Name	Club	1	2	3	Wins	Pts	Pos
1	Josie MAWSON	Koseikan	XX			0	0	3
2	Mariam SAADEN	U of R	20	XX		1	20	2
3	Josie WIENS	Flin Flon	20	20	XX	2	40	1

## Matches

Match	White			Blue	Result	Time	Code
B-42A	Josie MAWSON	1	2	<b>Mariam SAADEN</b>	0 - 20	1:17	
B-45A	Josie MAWSON	1	3	<b>Josie WIENS</b>	0 - 20	0:14	
B-48A	Mariam SAADEN	2	3	<b>Josie WIENS</b>	20 - 0	0:43	

## Results

Pos	Name
1	Josie WIENS, Flin Flon
2	Mariam SAADEN, U of R
3	Josie MAWSON, Koseikan

# NeWazaU16F Pool A

## Competitors

#	Name	Club	1	2	1	2	1	2	Wins	Pts	Pos
1	Anna DORNSTAUDER	U of R	XX	20	XX		XX		1	20	2
2	Olesia DUNN	Koseikan		XX	14	XX	20	XX	2	34	1

## Matches

Match	White			Blue	Result	Time	Code
B-30	<b>Anna DORNSTAUDER</b>	1	2	Olesia DUNN	20 - 0	2:10	
B-34	<b>Olesia DUNN</b>	2	1	Anna DORNSTAUDER	14 - 6	3:00	
B-38	Anna DORNSTAUDER	1	2	<b>Olesia DUNN</b>	0 - 20	0:50	KIK

## Results

Pos	Name
1	Olesia DUNN, Koseikan
2	Anna DORNSTAUDER, U of R

# NeWazaU16M Pool A

## Competitors

#	Name	Club	1	2	3	Wins	Pts	Pos
1	Emmett LEE-NEUMAN	Koseikan	XX		20	1	20	2
2	Felix LEONARD	Koseikan	6	XX	20	2	26	1
3	Blake REMPEL	Swift Current			XX	0	0	3

## Matches

Match	White			Blue	Result	Time	Code
A-28	Emmett LEE-NEUMAN	1	2	<b>Felix LEONARD</b>	4 - 6	3:00	
A-32	<b>Emmett LEE-NEUMAN</b>	1	3	Blake REMPEL	20 - 0	1:20	
A-36	<b>Felix LEONARD</b>	2	3	Blake REMPEL	20 - 0	0:53	

## Results

Pos	Name
1	Felix LEONARD, Koseikan
2	Emmett LEE-NEUMAN, Koseikan
3	Blake REMPEL, Swift Current

# NeWazaU16M Pool B

## Competitors

#	Name	Club	1	2	3	4	Wins	Pts	Pos
1	Corsin RAESS	Battleford	XX				0	0	4
2	Cole WRIGHT	Battleford	20	XX			1	20	3
3	Braxton GOEBEL	U of R	20	20	XX	6	3	46	1
4	Talon MOEN	Swift Current	12	4		XX	2	16	2

## Matches

Match	White			Blue	Result	Time	Code
A-26	Corsin RAESS	1	2	<b>Cole WRIGHT</b>	0 - 20	2:08	
A-27	<b>Braxton GOEBEL</b>	3	4	Talon MOEN	6 - 0	3:00	
A-30	Corsin RAESS	1	3	<b>Braxton GOEBEL</b>	0 - 20	2:15	
A-31	Cole WRIGHT	2	4	<b>Talon MOEN</b>	0 - 4	3:00	
A-34	Corsin RAESS	1	4	<b>Talon MOEN</b>	2 - 12	3:00	
A-35	Cole WRIGHT	2	3	<b>Braxton GOEBEL</b>	0 - 20	0:55	

## Results

Pos	Name
1	Braxton GOEBEL, U of R
2	Talon MOEN, Swift Current
3	Cole WRIGHT, Battleford
4	Corsin RAESS, Battleford



# NeWazaU16M Pool C

## Competitors

#	Name	Club	1	2	3	Wins	Pts	Pos
1	Ridley SUBERLAK	Battleford	XX	20	20	2	40	1
2	Zachary KANASEVICH	Vibank		XX	20	1	20	2
3	Garred HALBGEWACHS	Shinmura			XX	0	0	3

## Matches

Match	White			Blue	Result	Time	Code
A-29	Ridley SUBERLAK	1	2	Zachary KANASEVICH	20 - 2	0:38	
A-33	Ridley SUBERLAK	1	3	Garred HALBGEWACHS	20 - 0	0:45	
A-37	Zachary KANASEVICH	2	3	Garred HALBGEWACHS	20 - 2	2:07	

## Results

Pos	Name
1	Ridley SUBERLAK, Battleford
2	Zachary KANASEVICH, Vibank
3	Garred HALBGEWACHS, Shinmura

# SrM -100

## Competitors

#	Name	Club	1	2	3	Wins	Pts	Pos
1	Kenton UNRUH	Swift Current	XX	10		1	10	2
2	Marc PERRAULT	Swift Current		XX		0	0	3
3	Keenan MAGIS	Melfort	10	10	XX	2	20	1

## Matches

Match	White			Blue	Result	Time	Code
B-109	<b>Kenton UNRUH</b>	1	2	Marc PERRAULT	10 - 0	1:13	IPO
B-114	Kenton UNRUH	1	3	<b>Keenan MAGIS</b>	0 - 10	0:39	WIP
B-119	Marc PERRAULT	2	3	<b>Keenan MAGIS</b>	0 - 10	0:18	IPO

## Results

Pos	Name
1	Keenan MAGIS, Melfort
2	Kenton UNRUH, Swift Current
3	Marc PERRAULT, Swift Current

# SrM -66

## Competitors A

#	Name	Club	1	2	3	Wins	Pts	Pos
1	Ray WHITTON	Ju No Ri	XX			0	0	3
2	Eldon LI	Regina Y	10	XX	10	2	20	1
3	Cyrus KAIP	Shinmura	10		XX	1	10	2

## Matches A

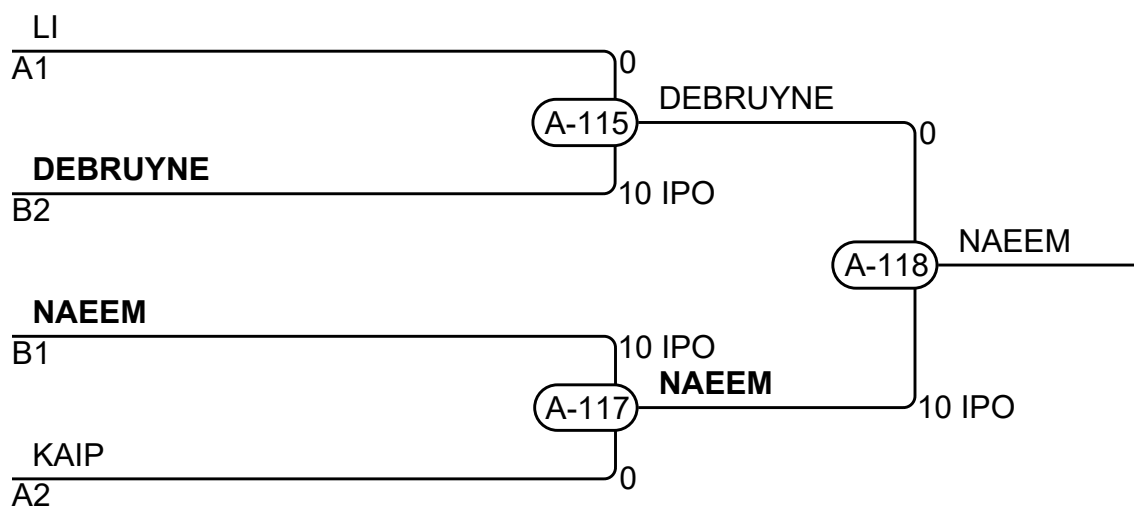
Match	White	Blue	Result	Time	Code
A-94	Ray WHITTON	Eldon LI	0 - 10	0:45	IPO
A-102	Ray WHITTON	Cyrus KAIP	0 - 10	0:49	IPO
A-111	Eldon LI	Cyrus KAIP	10 - 0	0:32	IPO

## Competitors B

#	Name	Club	4	5	6	Wins	Pts	Pos
4	Ashton DEBRUYNE	Regina Y	XX	10		1	10	2
5	Tyson BRUCE	Koseikan		XX		0	0	3
6	Rayan NAEEM	Regina Y	10	10	XX	2	20	1

## Matches B

Match	White	Blue	Result	Time	Code
A-95	Ashton DEBRUYNE	Tyson BRUCE	10 - 0	0:18	IPO
A-103	Ashton DEBRUYNE	Rayan NAEEM	0 - 10	0:50	WIP
A-110	Tyson BRUCE	Rayan NAEEM	0 - 10	0:12	IPO



## Results

Pos	Name
1	Rayan NAEEM, Regina Y
2	Ashton DEBRUYNE, Regina Y
3	Eldon LI, Regina Y
3	Cyrus KAIP, Shinmura

# SrM -73

## Competitors

#	Name	Club	1	2	3	4	Wins	Pts	Pos
1	Michael YEE	Regina Y	XX	10		10	2	20	2
2	Wyatt HIEBERT	Melfort		XX		10	1	10	3
3	Riley STANG	Saskatoon	10	10	XX	10	3	30	1
4	Jessie HALVORSEN	Koseikan				XX	0	0	4

## Matches

Match	White			Blue	Result	Time	Code
B-98	<b>Michael YEE</b>	1	2	Wyatt HIEBERT	10 - 0	0:43	WIP
B-102	<b>Riley STANG</b>	3	4	Jessie HALVORSEN	10 - 0	0:55	WIP
B-112	Michael YEE	1	3	<b>Riley STANG</b>	0 - 10	1:17	IPO
B-111	<b>Wyatt HIEBERT</b>	2	4	Jessie HALVORSEN	10 - 0	0:16	IPO
B-117	<b>Michael YEE</b>	1	4	Jessie HALVORSEN	10 - 0	0:10	IPO
B-118	Wyatt HIEBERT	2	3	<b>Riley STANG</b>	0 - 10	0:49	WIP

## Results

Pos	Name
1	Riley STANG, Saskatoon
2	Michael YEE, Regina Y
3	Wyatt HIEBERT, Melfort
4	Jessie HALVORSEN, Koseikan

# SrM -81

## Competitors

#	Name	Club	1	2	1	2	1	2	Wins	Pts	Pos
1	Daulton SHAW	Koseikan	XX		XX		XX		0	0	2
2	Maxx KARAIM	Regina Y	10	XX	10	XX		XX	2	20	1

## Matches

Match	White			Blue	Result	Time	Code
B-110	Daulton SHAW	1	2	Maxx KARAIM	0 - 10	0:32	IPO
B-95	Maxx KARAIM	2	1	Daulton SHAW	10 - 0	0:09	IPO
B-116	Daulton SHAW	1	2	Maxx KARAIM			

## Results

Pos	Name
1	Maxx KARAIM, Regina Y
2	Daulton SHAW, Koseikan

# SrM +100

## Competitors

#	Name	Club	1	2	3	Wins	Pts	Pos
1	Chris HODGSON	Saskatoon	XX	10	10	2	20	1
2	William WIENS	Koseikan		XX	10	1	10	2
3	Adam HENDRICKSON	U of R			XX	0	0	3

## Matches

Match	White			Blue	Result	Time	Code
B-108	Chris HODGSON	1	2	William WIENS	10 - 0	2:08	WIP
B-101	Chris HODGSON	1	3	Adam HENDRICKSON	10 - 0	1:23	IPO
B-115	William WIENS	2	3	Adam HENDRICKSON	10 - 0	1:56	WIP

## Results

Pos	Name
1	Chris HODGSON, Saskatoon
2	William WIENS, Koseikan
3	Adam HENDRICKSON, U of R

# U10 Pool A

## Competitors

#	Name	Club	1	2	3	4	Wins	Pts	Pos
1	Nora THIESSEN	Swift Current	XX	15	15	15	3	45	1
2	Kadence REMPEL	Swift Current		XX	15		1	15	3
3	Daphnee BOSSE	Regina Y			XX		0	0	4
4	Karlee REMPEL	Swift Current		1	20	XX	2	21	2

## Matches

Match	White			Blue	Result	Time	Code
A-40	<b>Nora THIESSEN</b>	1	2	Kadence REMPEL	15 - 0	2:00	
A-41	Daphnee BOSSE	3	4	<b>Karlee REMPEL</b>	0 - 20	0:37	
A-46	<b>Nora THIESSEN</b>	1	3	Daphnee BOSSE	15 - 0	1:14	
A-47	Kadence REMPEL	2	4	<b>Karlee REMPEL</b>	0 - 1	2:00	YUS
A-52	<b>Nora THIESSEN</b>	1	4	Karlee REMPEL	15 - 0	2:00	
A-53	<b>Kadence REMPEL</b>	2	3	Daphnee BOSSE	15 - 0	0:56	

## Results

Pos	Name
1	Nora THIESSEN, Swift Current
2	Karlee REMPEL, Swift Current
3	Kadence REMPEL, Swift Current
4	Daphnee BOSSE, Regina Y

# U10 Pool B

## Competitors

#	Name	Club	1	2	3	4	5	Wins	Pts	Pos
1	Josh BHAGALOO	Regina Y	XX	20	15	20	15	4	70	1
2	Georgia DUNFORD	Regina Y		XX	15	20	20	3	55	2
3	Dylan SCHMELING	Shinmura			XX	20	20	2	40	3
4	Eli WHITNEY	Koseikan				XX		0	0	5
5	Hunter MCROBERTS	Koseikan				10	XX	1	10	4

## Matches

Match	White			Blue	Result	Time	Code
B-41	Eli WHITNEY	4	5	Hunter MCROBERTS	0 - 10	1:42	
B-42	Josh BHAGALOO	1	2	Georgia DUNFORD	20 - 0	0:00	
B-59	Dylan SCHMELING	3	4	Eli WHITNEY	20 - 0	0:41	
B-47	Josh BHAGALOO	1	5	Hunter MCROBERTS	15 - 0	2:00	
B-54	Georgia DUNFORD	2	3	Dylan SCHMELING	15 - 0	2:00	
B-53	Josh BHAGALOO	1	4	Eli WHITNEY	20 - 0	1:51	
B-51	Dylan SCHMELING	3	5	Hunter MCROBERTS	20 - 0	1:26	
B-46	Georgia DUNFORD	2	4	Eli WHITNEY	20 - 0	1:04	
B-62	Josh BHAGALOO	1	3	Dylan SCHMELING	15 - 0	2:00	
B-66	Georgia DUNFORD	2	5	Hunter MCROBERTS	20 - 0	2:00	

## Results

Pos	Name
1	Josh BHAGALOO, Regina Y
2	Georgia DUNFORD, Regina Y
3	Dylan SCHMELING, Shinmura
4	Hunter MCROBERTS, Koseikan
5	Eli WHITNEY, Koseikan



# U10 Pool C

## Competitors

#	Name	Club	1	2	3	Wins	Pts	Pos
1	Joshua ELDER	Swift Current	XX			0	0	3
2	Caiden SANTANGELO	U of R	20	XX	20	2	40	1
3	Nicole IEROFIEIEVA	Ju No Ri	5		XX	1	5	2

## Matches

Match	White			Blue	Result	Time	Code
A-43	Joshua ELDER	1	2	<b>Caiden SANTANGELO</b>	0 - 20	1:48	
A-49	Joshua ELDER	1	3	<b>Nicole IEROFIEIEVA</b>	0 - 5	2:00	
A-55	<b>Caiden SANTANGELO</b>	2	3	Nicole IEROFIEIEVA	20 - 0	1:09	

## Results

Pos	Name
1	Caiden SANTANGELO, U of R
2	Nicole IEROFIEIEVA, Ju No Ri
3	Joshua ELDER, Swift Current

# U10 Pool D

## Competitors

#	Name	Club	1	2	3	4	Wins	Pts	Pos
1	Isla POSSBERG	Melfort	XX		1	5	2	6	3
2	Eliana EYFORD	Shinmura	20	XX	15		2	35	1
3	Phynleigh MYHRE	Swift Current			XX		0	0	4
4	Katherine BERGLUND	Koseikan		10	1	XX	2	11	2

## Matches

Match	White			Blue	Result	Time	Code
A-38	Isla POSSBERG	1	2	<b>Eliana EYFORD</b>	0 - 20	1:53	
A-39	Phynleigh MYHRE	3	4	<b>Katherine BERGLUND</b>	0 - 1	0:00	YUS
A-44	<b>Isla POSSBERG</b>	1	3	Phynleigh MYHRE	1 - 0	2:00	YUS
A-45	Eliana EYFORD	2	4	<b>Katherine BERGLUND</b>	0 - 10	2:00	
A-50	<b>Isla POSSBERG</b>	1	4	Katherine BERGLUND	5 - 0	2:00	
A-51	<b>Eliana EYFORD</b>	2	3	Phynleigh MYHRE	15 - 0	2:00	

## Results

Pos	Name
1	Eliana EYFORD, Shinmura
2	Katherine BERGLUND, Koseikan
3	Isla POSSBERG, Melfort
4	Phynleigh MYHRE, Swift Current

# U10 Pool E

## Competitors

#	Name	Club	1	2	3	Wins	Pts	Pos
1	Matiya Pearl NGOUNOU NANA	Shinmura	XX			0	0	3
2	Caleb MASSON	Flin Flon	20	XX	20	2	40	1
3	Francis SIAPNO	Regina Y	20		XX	1	20	2

## Matches

Match	White			Blue	Result	Time	Code
B-43	Matiya Pearl NGOUNOU NANA	1	2	<b>Caleb MASSON</b>	0 - 20	2:00	
B-48	Matiya Pearl NGOUNOU NANA	1	3	<b>Francis SIAPNO</b>	0 - 20	2:00	
B-55	<b>Caleb MASSON</b>	2	3	Francis SIAPNO	20 - 0	2:00	

## Results

Pos	Name
1	Caleb MASSON, Flin Flon
2	Francis SIAPNO, Regina Y
3	Matiya Pearl NGOUNOU NANA, Shinmura

# U12/U14F -32

## Competitors

#	Name	Club	1	2	3	Wins	Pts	Pos
1	Elizabeth MACDONALD	Shinmura	XX		10	1	10	2
2	Aayla LEE-NEUMAN	Koseikan	10	XX	10	2	20	1
3	Amanda DE LA CRUZ MARCELINO	Saskatoon			XX	0	0	3

## Matches

Match	White			Blue	Result	Time	Code
B-71	Elizabeth MACDONALD	1	2	<b>Aayla LEE-NEUMAN</b>	0 - 10	0:21	WIP
B-80	<b>Elizabeth MACDONALD</b>	1	3	Amanda DE LA CRUZ MARCELINO	10 - 0	3:00	IPO
B-89	<b>Aayla LEE-NEUMAN</b>	2	3	Amanda DE LA CRUZ MARCELINO	10 - 0	2:34	HAN

## Results

Pos	Name
1	Aayla LEE-NEUMAN, Koseikan
2	Elizabeth MACDONALD, Shinmura
3	Amanda DE LA CRUZ MARCELINO, Saskatoon

# U12/U14F -39

## Competitors

#	Name	Club	1	2	1	2	1	2	Wins	Pts	Pos
1	Emily SMITH	Shinmura	XX	10	XX	10	XX		2	20	1
2	Payton PINEL	Control		XX		XX		XX	0	0	2

## Matches

Match	White			Blue	Result	Time	Code
B-72	Emily SMITH	1	2	Payton PINEL	10 - 0	0:19	IPO
B-81	Payton PINEL	2	1	Emily SMITH	0 - 10	0:00	KIK
B-90	Emily SMITH	1	2	Payton PINEL			

## Results

Pos	Name
1	Emily SMITH, Shinmura
2	Payton PINEL, Control

# U12/U14F +63

## Competitors

#	Name	Club	1	2	3	4	5	Wins	Pts	Pos
1	Diedra HALVORSON	Koseikan	XX	10		10		2	20	3
2	Laylah GETZ	Koseikan		XX		10		1	10	4
3	Gemma MCALLISTER	Lloydminster	10	10	XX	10		3	30	2
4	Maya SILVA	Koseikan				XX		0	0	5
5	Raylynn MAERZ	Koseikan	10	10	10	10	XX	4	40	1

## Matches

Match	White			Blue	Result	Time	Code
B-56	Maya SILVA	4	5	Raylynn MAERZ	0 - 10	0:30	IPO
B-58	Diedra HALVORSON	1	2	Laylah GETZ	10 - 0	3:00	IPO
B-61	Gemma MCALLISTER	3	4	Maya SILVA	10 - 0	0:43	WIP
B-63	Diedra HALVORSON	1	5	Raylynn MAERZ	0 - 10	0:35	WIP
B-69	Laylah GETZ	2	3	Gemma MCALLISTER	0 - 10	0:51	IPO
B-70	Diedra HALVORSON	1	4	Maya SILVA	10 - 0	1:16	IPO
B-78	Gemma MCALLISTER	3	5	Raylynn MAERZ	0 - 10	0:42	WIP
B-79	Laylah GETZ	2	4	Maya SILVA	10 - 0	0:35	IPO
B-87	Diedra HALVORSON	1	3	Gemma MCALLISTER	0 - 10	0:12	IPO
B-88	Laylah GETZ	2	5	Raylynn MAERZ	0 - 10	0:27	WIP

## Results

Pos	Name
1	Raylynn MAERZ, Koseikan
2	Gemma MCALLISTER, Lloydminster
3	Diedra HALVORSON, Koseikan
4	Laylah GETZ, Koseikan
5	Maya SILVA, Koseikan

# U12F Pool A

## Competitors

#	Name	Club	1	2	3	4	Wins	Pts	Pos
1	Harley-Anne ALLEN	Ju No Ri	XX				0	0	4
2	Ana JUNG	Saskatoon	5	XX			1	5	3
3	Eva KANASEVICH	Vibank	10	10	XX	10	3	30	1
4	Khloe SNIDER	Shinmura	10	10		XX	2	20	2

## Matches

Match	White			Blue	Result	Time	Code
B-91A	Harley-Anne ALLEN	1	2	Ana JUNG	0 - 5	0:35	WAZ
B-68	Eva KANASEVICH	3	4	Khloe SNIDER	10 - 0	0:30	IPO
B-76	Harley-Anne ALLEN	1	3	Eva KANASEVICH	0 - 10	0:24	IPO
B-98A	Ana JUNG	2	4	Khloe SNIDER	0 - 10	0:06	IPO
B-95A	Harley-Anne ALLEN	1	4	Khloe SNIDER	0 - 10	0:21	IPO
B-86	Ana JUNG	2	3	Eva KANASEVICH	0 - 10	0:56	IPO

## Results

Pos	Name
1	Eva KANASEVICH, Vibank
2	Khloe SNIDER, Shinmura
3	Ana JUNG, Saskatoon
4	Harley-Anne ALLEN, Ju No Ri

# U12F Pool A (TB)

## Competitors

#	Name	Club	1	2	3	Wins	Pts	Pos
1	Harley-Anne ALLEN	Ju No Ri	XX			0	0	3
2	Ana JUNG	Saskatoon	5	XX		1	5	2
3	Khloe SNIDER	Shinmura	10	10	XX	2	20	1

## Matches

Match	White			Blue	Result	Time	Code
B-91A	Harley-Anne ALLEN	1	2	Ana JUNG	0 - 5	0:35	GSW
B-95A	Harley-Anne ALLEN	1	3	Khloe SNIDER	0 - 10	0:21	GSI
B-98A	Ana JUNG	2	3	Khloe SNIDER	0 - 10	0:06	GSI

## Results

Pos	Name
1	Khloe SNIDER, Shinmura
2	Ana JUNG, Saskatoon
3	Harley-Anne ALLEN, Ju No Ri



# U12F Pool B

## Competitors

#	Name	Club	1	2	3	4	Wins	Pts	Pos
1	Rachel ELDER	Swift Current	XX				0	0	4
2	Peyton DICKIE	Swift Current	10	XX	10	10	3	30	1
3	Francesca SIAPNO	Regina Y	10		XX	10	2	20	2
4	Jaymee HERBERT	Koseikan	10			XX	1	10	3

## Matches

Match	White			Blue	Result	Time	Code
B-60	Rachel ELDER	1	2	<b>Peyton DICKIE</b>	0 - 10	1:33	WIP
B-65	<b>Francesca SIAPNO</b>	3	4	Jaymee HERBERT	10 - 0	1:59	WIP
B-74	Rachel ELDER	1	3	<b>Francesca SIAPNO</b>	0 - 10	2:00	IPO
B-75	<b>Peyton DICKIE</b>	2	4	Jaymee HERBERT	10 - 0	0:16	IPO
B-83	Rachel ELDER	1	4	<b>Jaymee HERBERT</b>	0 - 10	2:00	IPO
B-84	<b>Peyton DICKIE</b>	2	3	Francesca SIAPNO	10 - 0	0:19	IPO

## Results

Pos	Name
1	Peyton DICKIE, Swift Current
2	Francesca SIAPNO, Regina Y
3	Jaymee HERBERT, Koseikan
4	Rachel ELDER, Swift Current

# U12M Pool A

## Competitors

#	Name	Club	1	2	3	Wins	Pts	Pos
1	Liam VANDORLAND	Koseikan	XX	10		1	10	2
2	Leo TAYLOR	U of R		XX		0	0	3
3	Jody MARTIN	Shinmura	10	10	XX	2	20	1

## Matches

Match	White			Blue	Result	Time	Code
A-61	Liam VANDORLAND	1	2	Leo TAYLOR	10 - 0	1:41	IPO
A-67	Liam VANDORLAND	1	3	Jody MARTIN	0 - 10	0:34	IPO
A-73	Leo TAYLOR	2	3	Jody MARTIN	0 - 10	0:37	IPO

## Results

Pos	Name
1	Jody MARTIN, Shinmura
2	Liam VANDORLAND, Koseikan
3	Leo TAYLOR, U of R

# U12M Pool B

## Competitors

#	Name	Club	1	2	3	Wins	Pts	Pos
1	Devin DER	Koseikan	XX		10	1	10	2
2	Jackson TATLOW	Saskatoon	1	XX	10	2	11	1
3	Natsu MACLEOD	Queen City			XX	0	0	3

## Matches

Match	White			Blue	Result	Time	Code
A-57	Devin DER	1	2	<b>Jackson TATLOW</b>	0 - 1	2:00	YUS
A-63	<b>Devin DER</b>	1	3	Natsu MACLEOD	10 - 0	1:42	IPO
A-69	<b>Jackson TATLOW</b>	2	3	Natsu MACLEOD	10 - 0	1:13	IPO

## Results

Pos	Name
1	Jackson TATLOW, Saskatoon
2	Devin DER, Koseikan
3	Natsu MACLEOD, Queen City

# U12M Pool C

## Competitors

#	Name	Club	1	2	3	4	Wins	Pts	Pos
1	Lincoln DUNFORD	Regina Y	XX	10		5	2	15	2
2	Jack LOEWEN	Battleford		XX		10	1	10	3
3	Jacob HIEBERT	Flin Flon	10	10	XX	10	3	30	1
4	Artur FAYFRUK	Saskatoon				XX	0	0	4

## Matches

Match	White			Blue	Result	Time	Code
A-58	<b>Lincoln DUNFORD</b>	1	2	Jack LOEWEN	10 - 0	0:08	IPO
A-59	<b>Jacob HIEBERT</b>	3	4	Artur FAYFRUK	10 - 0	0:19	IPO
A-64	Lincoln DUNFORD	1	3	<b>Jacob HIEBERT</b>	0 - 10	0:28	IPO
A-65	<b>Jack LOEWEN</b>	2	4	Artur FAYFRUK	10 - 0	0:09	IPO
A-70	<b>Lincoln DUNFORD</b>	1	4	Artur FAYFRUK	5 - 0	2:00	WAZ
A-71	Jack LOEWEN	2	3	<b>Jacob HIEBERT</b>	0 - 10	0:35	IPO

## Results

Pos	Name
1	Jacob HIEBERT, Flin Flon
2	Lincoln DUNFORD, Regina Y
3	Jack LOEWEN, Battleford
4	Artur FAYFRUK, Saskatoon

# U12M Pool D

## Competitors

#	Name	Club	1	2	3	Wins	Pts	Pos
1	Yassine HUSSEIN	Saskatoon	XX	10	10	2	20	1
2	Jack BOCHEK	Swift Current		XX	10	1	10	2
3	David ILES	U of R			XX	0	0	3

## Matches

Match	White			Blue	Result	Time	Code
A-56	Yassine HUSSEIN	1	2	Jack BOCHEK	10 - 0	0:13	IPO
A-62	Yassine HUSSEIN	1	3	David ILES	10 - 0	0:16	IPO
A-68	Jack BOCHEK	2	3	David ILES	10 - 0	0:25	IPO

## Results

Pos	Name
1	Yassine HUSSEIN, Saskatoon
2	Jack BOCHEK, Swift Current
3	David ILES, U of R

# U12M Pool E

## Competitors

#	Name	Club	1	2	1	2	1	2	Wins	Pts	Pos
1	Alexander MAERZ	Koseikan	XX		XX		XX		0	0	2
2	Theodore VUKMAN	Vibank	10	XX	10	XX		XX	2	20	1

## Matches

Match	White			Blue	Result	Time	Code
A-60	Alexander MAERZ	1	2	<b>Theodore VUKMAN</b>	0 - 10	0:14	IPO
A-66	<b>Theodore VUKMAN</b>	2	1	Alexander MAERZ	10 - 0	0:45	IPO
A-72	Alexander MAERZ	1	2	Theodore VUKMAN			

## Results

Pos	Name
1	Theodore VUKMAN, Vibank
2	Alexander MAERZ, Koseikan

# U14F -52

## Competitors

#	Name	Club	1	2	3	Wins	Pts	Pos
1	Winter-Sky AISAICAN	Koseikan	XX			0	0	3
2	Kylee FREEMAN	Watrous	10	XX		1	10	2
3	Dylan TATLOW	Saskatoon	10	10	XX	2	20	1

## Matches

Match	White			Blue	Result	Time	Code
B-49	Winter-Sky AISAICAN	1	2	<b>Kylee FREEMAN</b>	0 - 10	0:03	IPO
B-73	Winter-Sky AISAICAN	1	3	<b>Dylan TATLOW</b>	0 - 10	0:46	IPO
B-82	Kylee FREEMAN	2	3	<b>Dylan TATLOW</b>	0 - 10	1:30	IPO

## Results

Pos	Name
1	Dylan TATLOW, Saskatoon
2	Kylee FREEMAN, Watrous
3	Winter-Sky AISAICAN, Koseikan

# U14M -38

## Competitors

#	Name	Club	1	2	1	2	1	2	Wins	Pts	Pos
1	Ray SIM	Saskatoon	XX		XX		XX		0	0	2
2	Silvan RAESS	Battleford	10	XX	10	XX		XX	2	20	1

## Matches

Match	White			Blue	Result	Time	Code
A-79	Ray SIM	1	2	Silvan RAESS	0 - 10	0:37	IPO
A-85	Silvan RAESS	2	1	Ray SIM	10 - 0	1:22	IPO
A-91	Ray SIM	1	2	Silvan RAESS			

## Results

Pos	Name
1	Silvan RAESS, Battleford
2	Ray SIM, Saskatoon



# U14M -42

## Competitors

#	Name	Club	1	2	3	Wins	Pts	Pos
1	Alexander KO	Shinmura	XX			0	0	3
2	Bartosz LOSINSKI	Lloydminster	10	XX		1	10	2
3	Mykhailo HALAKTIONOV		10	10	XX	2	20	1

## Matches

Match	White			Blue	Result	Time	Code
A-76	Alexander KO	1	2	Bartosz LOSINSKI	0 - 10	2:07	IPO
A-82	Alexander KO	1	3	Mykhailo HALAKTIONOV	0 - 10	0:19	IPO
A-88	Bartosz LOSINSKI	2	3	Mykhailo HALAKTIONOV	0 - 10	1:39	IPO

## Results

Pos	Name
1	Mykhailo HALAKTIONOV,
2	Bartosz LOSINSKI, Lloydminster
3	Alexander KO, Shinmura

# U14M -46

## Competitors

#	Name	Club	1	2	1	2	1	2	Wins	Pts	Pos
1	Artur ILCHENKO	Saskatoon	XX		XX		XX		0	0	2
2	Eliot PERRAULT	Swift Current	5	XX	10	XX		XX	2	15	1

## Matches

Match	White			Blue	Result	Time	Code
A-74	Artur ILCHENKO	1	2	Eliot PERRAULT	0 - 5	3:00	WAZ
A-80	Eliot PERRAULT	2	1	Artur ILCHENKO	10 - 0	3:00	WIP
A-86	Artur ILCHENKO	1	2	Eliot PERRAULT			

## Results

Pos	Name
1	Eliot PERRAULT, Swift Current
2	Artur ILCHENKO, Saskatoon

# U14M -55

## Competitors

#	Name	Club	1	2	1	2	1	2	Wins	Pts	Pos
1	Oleksandr KORNAT	Koseikan	XX	10	XX	10	XX		2	20	1
2	Samuel LOEWEN	Battleford		XX		XX		XX	0	0	2

## Matches

Match	White			Blue	Result	Time	Code
A-77	Oleksandr KORNAT	1	2	Samuel LOEWEN	10 - 0	0:53	IPO
A-83	Samuel LOEWEN	2	1	Oleksandr KORNAT	0 - 10	0:40	WIP
A-89	Oleksandr KORNAT	1	2	Samuel LOEWEN			

## Results

Pos	Name
1	Oleksandr KORNAT, Koseikan
2	Samuel LOEWEN, Battleford

# U14M +66

## Competitors

#	Name	Club	1	2	3	Wins	Pts	Pos
1	Jesse REYNAUD	Koseikan	XX	10	10	2	20	1
2	Rone Matheo NGOUNOU NOUDJALE	Shinmura		XX	10	1	10	2
3	Jacob WIENS	Flin Flon			XX	0	0	3

## Matches

Match	White			Blue	Result	Time	Code
A-78	Jesse REYNAUD	1	2	Rone Matheo NGOUNOU NOUDJALE	10 - 0	1:22	IPO
A-84	Jesse REYNAUD	1	3	Jacob WIENS	10 - 0	0:44	IPO
A-90	Rone Matheo NGOUNOU NOUDJALE	2	3	Jacob WIENS	10 - 0	1:09	IPO

## Results

Pos	Name
1	Jesse REYNAUD, Koseikan
2	Rone Matheo NGOUNOU NOUDJALE, Shinmura
3	Jacob WIENS, Flin Flon

# U16/SrW +70

## Competitors

#	Name	Club	1	2	3	Wins	Pts	Pos
1	Mariam SAADEN	U of R	XX	10	10	2	20	1
2	Josie MAWSON	Koseikan		XX	10	1	10	2
3	Josie WIENS	Flin Flon			XX	0	0	3

## Matches

Match	White			Blue	Result	Time	Code
B-105	Mariam SAADEN	1	2	Josie MAWSON	10 - 0	1:18	IPO
B-99	Mariam SAADEN	1	3	Josie WIENS	10 - 0	0:42	IPO
B-93	Josie MAWSON	2	3	Josie WIENS	10 - 0	0:07	IPO

## Results

Pos	Name
1	Mariam SAADEN, U of R
2	Josie MAWSON, Koseikan
3	Josie WIENS, Flin Flon

# U16F -48

## Competitors

#	Name	Club	1	2	1	2	1	2	Wins	Pts	Pos
1	Kylee FREEMAN	Ju No Ri	XX		XX		XX		0	0	2
2	Anna LI	U of R	10	XX	10	XX		XX	2	20	1

## Matches

Match	White			Blue	Result	Time	Code
B-92	Kylee FREEMAN	1	2	Anna LI	0 - 10	0:23	IPO
B-97	Anna LI	2	1	Kylee FREEMAN	10 - 0	0:12	IPO
B-104	Kylee FREEMAN	1	2	Anna LI			

## Results

Pos	Name
1	Anna LI, U of R
2	Kylee FREEMAN, Ju No Ri

# U16F -63

## Competitors

#	Name	Club	1	2	1	2	1	2	Wins	Pts	Pos
1	Azra BENIC	Saskatoon	XX	5	XX	10	XX		2	15	1
2	Olesia DUNN	Koseikan		XX		XX		XX	0	0	2

## Matches

Match	White			Blue	Result	Time	Code
B-91	<b>Azra BENIC</b>	1	2	Olesia DUNN	5 - 0	1:03	WAZ
B-96	Olesia DUNN	2	1	<b>Azra BENIC</b>	0 - 10	0:07	IPO
B-103	Azra BENIC	1	2	Olesia DUNN			

## Results

Pos	Name
1	Azra BENIC, Saskatoon
2	Olesia DUNN, Koseikan

# U16M -46

## Competitors

#	Name	Club	1	2	3	Wins	Pts	Pos
1	Felix LEONARD	Koseikan	XX	10	10	2	20	1
2	Blake REMPEL	Swift Current		XX	10	1	10	2
3	Bartosz LOSINSKI	Lloydminster			XX	0	0	3

## Matches

Match	White			Blue	Result	Time	Code
A-99	<b>Felix LEONARD</b>	1	2	Blake REMPEL	10 - 0	1:24	WIP
A-107	<b>Felix LEONARD</b>	1	3	Bartosz LOSINSKI	10 - 0	0:44	IPO
A-116	<b>Blake REMPEL</b>	2	3	Bartosz LOSINSKI	10 - 0	0:21	IPO

## Results

Pos	Name
1	Felix LEONARD, Koseikan
2	Blake REMPEL, Swift Current
3	Bartosz LOSINSKI, Lloydminster



# U16M -50

## Competitors

#	Name	Club	1	2	1	2	1	2	Wins	Pts	Pos
1	Oleksandr KORNAT	Koseikan	XX		XX		XX		0	0	2
2	Emmett LEE-NEUMAN	Koseikan	10	XX	10	XX		XX	2	20	1

## Matches

Match	White			Blue	Result	Time	Code
A-98	Oleksandr KORNAT	1	2	<b>Emmett LEE-NEUMAN</b>	0 - 10	0:30	IPO
A-106	<b>Emmett LEE-NEUMAN</b>	2	1	Oleksandr KORNAT	10 - 0	0:20	IPO
A-114	Oleksandr KORNAT	1	2	Emmett LEE-NEUMAN			

## Results

Pos	Name
1	Emmett LEE-NEUMAN, Koseikan
2	Oleksandr KORNAT, Koseikan

# U16M -60

## Competitors

#	Name	Club	1	2	1	2	1	2	Wins	Pts	Pos
1	Braxton GOEBEL	U of R	XX	10	XX	10	XX		2	20	1
2	Corsin RAESS	Battleford		XX		XX		XX	0	0	2

## Matches

Match	White			Blue	Result	Time	Code
A-96	<b>Braxton GOEBEL</b>	1	2	Corsin RAESS	10 - 0	0:45	IPO
A-104	Corsin RAESS	2	1	<b>Braxton GOEBEL</b>	0 - 10	0:16	IPO
A-112	Braxton GOEBEL	1	2	Corsin RAESS			

## Results

Pos	Name
1	Braxton GOEBEL, U of R
2	Corsin RAESS, Battleford

# U16M -66/-73

## Competitors

#	Name	Club	1	2	3	4	Wins	Pts	Pos
1	Thomas BERNES	Shinmura	XX	10		10	2	20	2
2	Cole WRIGHT	Battleford		XX			0	0	4
3	Hawkins JACOBSON	Control	10	10	XX	10	3	30	1
4	Talon MOEN	Swift Current		10		XX	1	10	3

## Matches

Match	White			Blue	Result	Time	Code
A-92	<b>Thomas BERNES</b>	1	2	Cole WRIGHT	10 - 0	0:40	IPO
A-93	<b>Hawkins JACOBSON</b>	3	4	Talon MOEN	10 - 0	0:21	IPO
A-100	Thomas BERNES	1	3	<b>Hawkins JACOBSON</b>	0 - 10	1:25	IPO
A-101	Cole WRIGHT	2	4	<b>Talon MOEN</b>	0 - 10	0:55	WIP
A-108	<b>Thomas BERNES</b>	1	4	Talon MOEN	10 - 0	0:50	IPO
A-109	Cole WRIGHT	2	3	<b>Hawkins JACOBSON</b>	0 - 10	0:56	IPO

## Results

Pos	Name
1	Hawkins JACOBSON, Control
2	Thomas BERNES, Shinmura
3	Talon MOEN, Swift Current
4	Cole WRIGHT, Battleford

# U16M +73

## Competitors

#	Name	Club	1	2	3	Wins	Pts	Pos
1	Zachary KANASEVICH	Vibank	XX			0	0	3
2	Garred HALBGEWACHS	Shinmura	10	XX		1	10	2
3	Ridley SUBERLAK	Battleford	10	10	XX	2	20	1

## Matches

Match	White			Blue	Result	Time	Code
A-97	Zachary KANASEVICH	1	2	Garred HALBGEWACHS	0 - 10	1:15	WIP
A-105	Zachary KANASEVICH	1	3	Ridley SUBERLAK	0 - 10	0:00	IPO
A-113	Garred HALBGEWACHS	2	3	Ridley SUBERLAK	0 - 10	0:45	WIP

## Results

Pos	Name
1	Ridley SUBERLAK, Battleford
2	Garred HALBGEWACHS, Shinmura
3	Zachary KANASEVICH, Vibank

# U18/SrW -57

## Competitors

#	Name	Club	1	2	3	Wins	Pts	Pos
1	Nova LEE-NEUMAN	Koseikan	XX		10	1	10	2
2	Avery GIBNEY	Koseikan	10	XX	10	2	20	1
3	Kenzie WOODS	Koseikan			XX	0	0	3

## Matches

Match	White			Blue	Result	Time	Code
B-107	Nova LEE-NEUMAN	1	2	<b>Avery GIBNEY</b>	0 - 10	1:07	IPO
B-113	<b>Nova LEE-NEUMAN</b>	1	3	Kenzie WOODS	10 - 0	2:19	IPO
B-120	<b>Avery GIBNEY</b>	2	3	Kenzie WOODS	10 - 0	1:00	WIP

## Results

Pos	Name
1	Avery GIBNEY, Koseikan
2	Nova LEE-NEUMAN, Koseikan
3	Kenzie WOODS, Koseikan

# U18M -66/-73

## Competitors

#	Name	Club	1	2	3	Wins	Pts	Pos
1	Gor YEGHISHYAN	U of R	XX			0	0	3
2	Wyatt HIEBERT	Melfort	10	XX		1	10	2
3	Hawkins JACOBSON	Control	10	10	XX	2	20	1

## Matches

Match	White			Blue	Result	Time	Code
A-75	Gor YEGHISHYAN	1	2	Wyatt HIEBERT	0 - 10	0:27	IPO
A-81	Gor YEGHISHYAN	1	3	Hawkins JACOBSON	0 - 10	1:49	WIP
A-87	Wyatt HIEBERT	2	3	Hawkins JACOBSON	0 - 10	3:32	WIP

## Results

Pos	Name
1	Hawkins JACOBSON, Control
2	Wyatt HIEBERT, Melfort
3	Gor YEGHISHYAN, U of R

# VetM -81

## Competitors

#	Name	Club	1	2	3	Wins	Pts	Pos
1	Paul MCKAY	Regina Y	XX		10	1	10	2
2	Michael YEE	Regina Y	10	XX	10	2	20	1
3	Blair DMYTROW	Melfort			XX	0	0	3

## Matches

Match	White			Blue	Result	Time	Code
A-42	Paul MCKAY	1	2	Michael YEE	0 - 10	0:58	WIP
A-48	Paul MCKAY	1	3	Blair DMYTROW	10 - 0	2:39	HAN
A-54	Michael YEE	2	3	Blair DMYTROW	10 - 0	0:31	IPO

## Results

Pos	Name
1	Michael YEE, Regina Y
2	Paul MCKAY, Regina Y
3	Blair DMYTROW, Melfort

# VetM +81

## Competitors

#	Name	Club	1	2	3	4	Wins	Pts	Pos
1	Marc PERRAULT	Swift Current	XX				0	0	4
2	Kenton UNRUH	Swift Current	10	XX			1	10	3
3	Chris HODGSON	Saskatoon	10	10	XX	10	3	30	1
4	Keenan MAGIS	Melfort	10	10		XX	2	20	2

## Matches

Match	White			Blue	Result	Time	Code
B-44	Marc PERRAULT	1	2	<b>Kenton UNRUH</b>	0 - 10	1:30	IPO
B-45	<b>Chris HODGSON</b>	3	4	Keenan MAGIS	10 - 0	0:55	IPO
B-50	Marc PERRAULT	1	3	<b>Chris HODGSON</b>	0 - 10	1:19	WIP
B-52	Kenton UNRUH	2	4	<b>Keenan MAGIS</b>	0 - 10	1:16	WIP
B-64	Marc PERRAULT	1	4	<b>Keenan MAGIS</b>	0 - 10	0:47	IPO
B-57	Kenton UNRUH	2	3	<b>Chris HODGSON</b>	0 - 10	0:47	IPO

## Results

Pos	Name
1	Chris HODGSON, Saskatoon
2	Keenan MAGIS, Melfort
3	Kenton UNRUH, Swift Current
4	Marc PERRAULT, Swift Current



## Provincial Championship Team Trophy

1. Moose Jaw Koseikan Judo Club (268)
2. Shinmura Judo Club (173)
3. Regina Y Judo Club (171)
4. Saskatoon Judo Club (159)
5. University of Regina Varsity Judo Club (130)
6. Swift Current Judo Club (128)
7. Battleford Judo Club (102)
8. Flin Flon Judo Club (55)
9. Melfort Judo Club (48)
10. Vibank Judo Club (44)
11. Lloydminster Judo Club (40)
12. Watrous Ju-no-ri Judo Club (39)
13. Control Judo (33)
14. Queen City Judo Club (13)
15. Shinmura Piapot (2)